



EC-6000 SIDE-STREAM PARTICLE PRECIPITATOR

TECHNICAL DESCRIPTION

**APPLICATIONS: HVAC AND PROCESS OPEN LOOPS
UP TO 6,000 TONS**

ElectroCell’s EC-6000 system is designed for HVAC and process open loops up to 6,000 tons. All ElectroCell systems are designed and produced in Easton, Pennsylvania.

The ElectroCell system is not a filter or a chemical replacement system. We offer totally automated modular skid systems capable of removing 98-99% of all suspended solids down to 1 micron by coalescing particles. This flocculation, via low-voltage electrodes imparting equal amounts of positive and negative charges on suspended particles, is then mechanically removed in vessels containing static mixers designed to remove smaller particulate from 5 to .5 micron. All sediment is collected at the bottom of the vessel and is removed by the bleed cycle of the existing chemical program. The system will also purge once daily to self-clean. After particles are removed the final stage involves a high voltage electrode generating a static field, which reduces water surface tension and, in turn, reduces drag that affects laminar boundaries that increase thermal transfer. The end results are that 98-99% of all suspended particles are removed and laminar boundaries are reduced, thereby saving energy, water and maintenance and enhancing the chemical program.

The EC-6000 will replace existing filters and separators and is designed to perform for 15 years. It is easy to maintain, requiring approximately 90 minutes every 90 days to rinse the six static mixers and two low-voltage electrodes in a utility sink. Installation requires a 3” inlet, 3” outlet, 1.5” to drain and a 3-phase 460V electrical feed. The EC-6000 comes with a 10-hp pump with VFD using approximately 11.4 amps of energy (amps will vary with VFD speed).

NOTE: EC-6000 units installed on Chilled Water systems must be insulated

SPECIFICATIONS

| | |
|--|---|
| Weight: 2,125 lbs. | Modular Skid Mounted - (ships in two 5’ sections) |
| Footprint: 120”L x 32”W x 66”H | Steel Construction w/Stainless Steel Vessels |
| Pressure: 150 psi (max) – Optional 300 psi avail | Piping: 3” In, 3” Out, 1.5” Drain w/flow meter |
| Temp Range: 50° - 120° | Electrical: 460VAC, 3-Phase, 11.4 Amp (std) |
| GPM: 100-180 | Pump: 10-hp w/VFD |

SYSTEM COMPONENTS

| | |
|--|--------------------------------------|
| ASB Processor (SE) w/BACnet IP Interface | Six SS Vessels w/static mixers |
| 10” Touch Screen (Panel Mounted) | One High Voltage Power Supply |
| Totalizers - GPM/System/Make-up/Bleed/Evap | One High Voltage Electrode |
| Conductivity Meter | Two Pre-Treatment Electrodes |
| Auto Purge/Bleed | One 10-hp Circulating Pump w/VFD |
| Condenser Temp Sensor | Manual Valves (3) – In / Out / Bleed |
| Remote Monitoring | PSI Sensors (2) – In/Out |

ElectroCell Systems

3320 Nazareth Road, Easton, PA 18045

Phn: 1-800-949-3445

Email: info@electrocellsystems.com

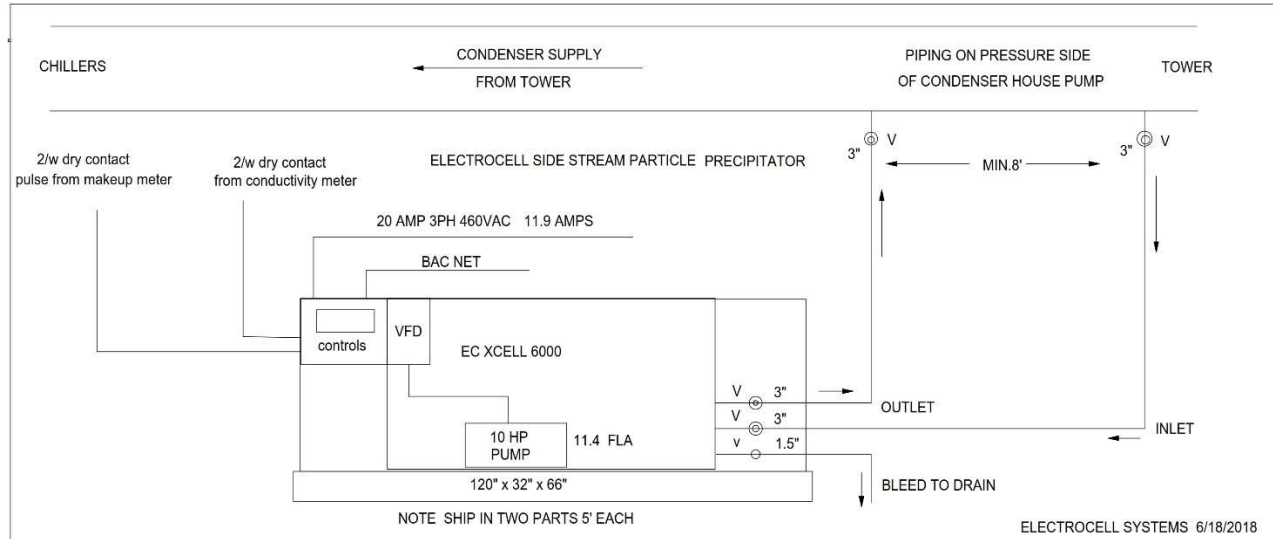
web: www.electrocellsystems.com



Proudly Made in USA

EC-6000 - Open HVAC Loops up to 6,000 Tons

INSTALLATION



SYSTEM FLOW DIAGRAM

